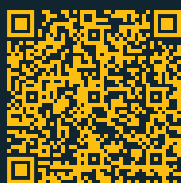


SYSTEMATIC QUALITY

# Main distribution box



Catalogue



**GIFAS**  
ELECTRIC

**05A**

**Introduction**  
**Overview**  
**Applications**

Pages 3-5

Webshop



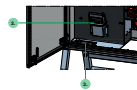
Page 3

Overview main distributor box



Page 4

Applications



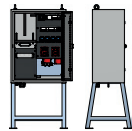
Page 5

**Main distributor boxes (MDB)**

**Applications**

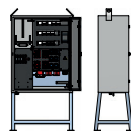
Pages 6-13

Main distributor boxes 63 A



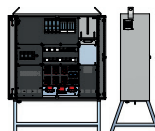
Pages 6-7

Main distributor boxes 100 A



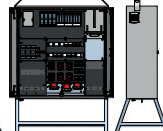
Pages 8-9

Main distributor boxes 250 A



Pages 10-11

Main distributor boxes 400 A



Pages 12-13

Applications



Page 14

**MDB-power station meter box**

**Construction site main cabinet (mains metering cabinet)**

Pages 15-23

MDB-power station meter box 25 A, 32 A



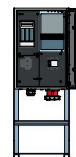
Page 15

Construction site main cabinet (mains metering cabinet)



Pages 16-17

63 A / 80 A



Pages 18-19

125 A



Pages 20-21

250 A, 400 A, 630 A



Page 22

Applications



Page 23

**Power distributors with PowerSAFE**

**PowerSAFE Components**

**Applications**

Pages 24-27

Power distributors with PowerSAFE



Pages 24-25

PowerSAFE Components

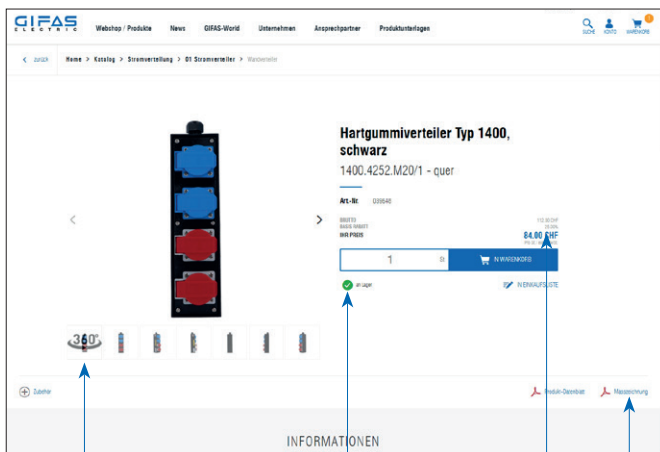


Page 26

Applications



Page 27



360° images

Availability immediately apparent

Technical drawing/  
information

Individual conditions



The GIFAS e-shop offers an extensive assortment for customers from trade and industry. The simple and customer-friendly interface quickly takes you to the desired product.

Take the plunge and have direct access to more than 3'000 articles. Our fast delivery capability will impress you – order today for delivery tomorrow.

► Go to the e-shop: [www.gifas.ch](http://www.gifas.ch)

► No login? Register today!

### Your benefits

- large stock of standard products with immediate availability
- easy to order 24/7
- free shipping
- order by 15.00 for delivery next day
- everything in view with «My Account» - order overview, easy invoice download
- download CAD drawings, electrical diagrams and other product information
- various interfaces possible e.g. OCI

### GIFAS-World

We will guide you through the GIFAS World on our website with animated situations at the workplace and at home.

Our advanced product solutions are used in the most diverse areas - roads, railways, hospitals, sewage plants or wherever electricity, light and safety are required.

The areas of application are numerous and varied. Let us inspire you! Click on [www.gifas.ch/world](http://www.gifas.ch/world) and immerse yourself in the all-embracing landscape of the GIFAS World.

If it's urgent – use our e-shop. We will be pleased to continue to offer you expert advice over the telephone with the proven GIFAS service!



## MDB – direct measurement

## MDB – converter measurement



## MDB – direct measurement

The distributor box for direct connection to the electricity supply grid, with input fuse and prewired meter panel.

### Features:

- for 63 A – 100 A connection capacity
- input/main fuse
- prewired meter panel (for supplier's electricity meter)
- lockable main switch
- listed standard versions (other specifications on request)

## MDB – converter measurement

Depending on the local works regulations, converters are to be used for power consumption metering. The basic principle for the distributor box remains as follows: direct connection to the electricity grid, with input fuse and prewired meter panel (converter measurement).

### Features:

- for 250 A – 400 A connection capacity
- input/main fuse
- prewired meter panel (with converters)
- lockable main switch
- listed standard versions (other specifications on request)

## The main distributor box on the construction site

The enormous demands which are typically found on all construction sites require special electrotechnical products. Our answer to this is the uniquely resistant design which makes our construction site cabinets extremely sturdy. Special design details, from the solid frame and the robust, corrosion-resistant metal housing to the electrotechnical components packed in solid rubber enclosures, are characteristics of the GIFAS construction site cabinets.

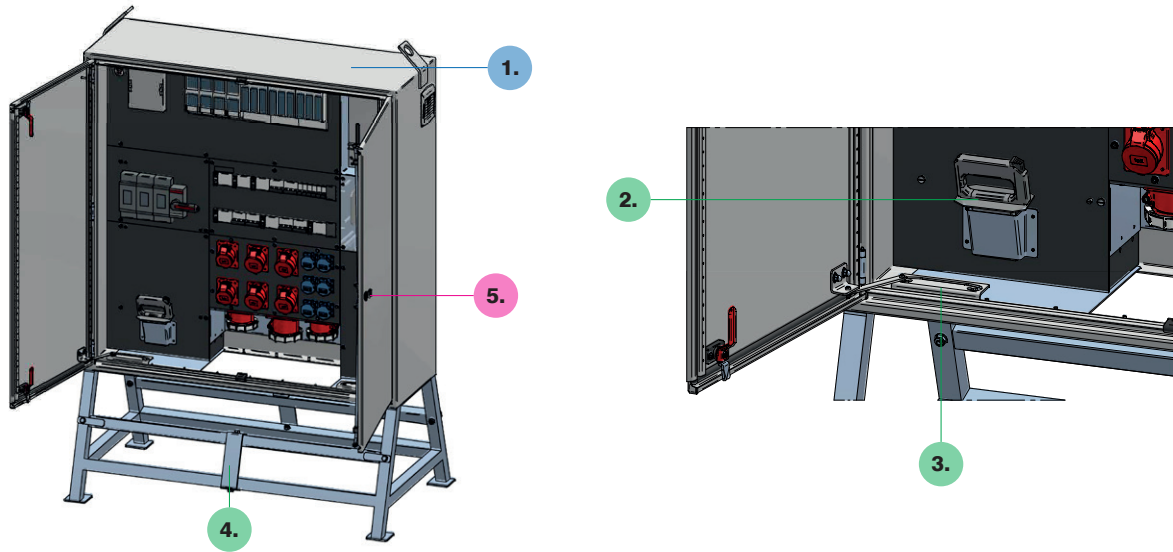
Sophisticated design and construction details guarantee (a) a high production cycle and (b) easy maintenance and servicing options.

Thanks to this design and many years of application and product competence, you as a customer get a product offering excellent value for money.

We stock a standard range in three fundamentally different versions, in compliance with standards EN 61439/4.



# Main distributor boxes – details and construction



## Base selection

- 1) MDB
  - cabinet sheet steel
  - cabinet V2A

## Base selection options

- 2) Fuse holder (Article 230249)
- 3) Door blocking mechanism (Article 229933)
- 4) Handle for easier transport with forklift (Article 230796; 230797)

## Accessories

- 5) Offertent locking mechanisms on request
  - Sash lock with actuation (square sash)
  - Sash lock with kubb
  - Sash lock for padlock

## Main distribution boxes on overview

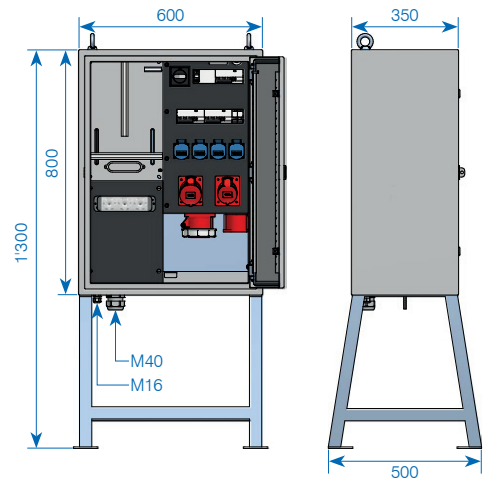
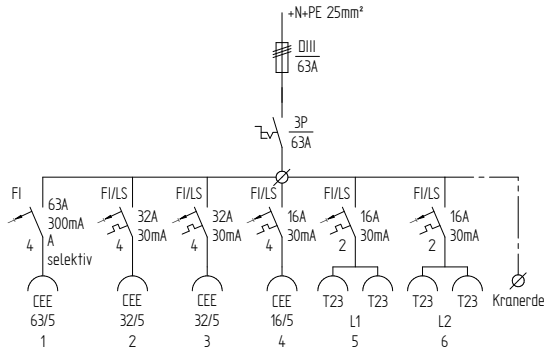
Sheet steel RAL 7035	V2A grounded	Counter	Converter	FI Type	T23	CEE 16/5	CEE 32/5	CEE 63/5	CEE 125/5	direct connection
Item no.	Item no.									
<b>Main distributor boxes 63 A</b>										
231119	231181			A	4	1	2	1		
231123	231182	×		A	4	1	2	1		
231128	231189			A/B	4	1	2	1		
231131	231190	×		A/B	4	1	2	1		
<b>Main distributor boxes 100 A</b>										
231416	231419			A	6	3	3	1		1 × (terminal 5 × 35 mm <sup>2</sup> )
✓ 231418	231422	×		A	6	3	3	1		1 × (terminal 5 × 35 mm <sup>2</sup> )
231428	231430			B	6	3	3	1		1 × (terminal 5 × 35 mm <sup>2</sup> )
231429	231431	×		B	6	3	3	1		1 × (terminal 5 × 35 mm <sup>2</sup> )
231424	231426			A/B	6	3	3	1		1 × (terminal 5 × 35 mm <sup>2</sup> )
231425	231427	×		A/B	6	3	3	1		1 × (terminal 5 × 35 mm <sup>2</sup> )
<b>Main distributor boxes 250 A</b>										
✓ 229290	231185			A	6	2	4	2	1	1 × (terminal 5 × 70 mm <sup>2</sup> )
✓ 229292	231186	×	×	A	6	2	4	2	1	1 × (terminal 5 × 70 mm <sup>2</sup> )
✓ 231146	231200			B	6	2	4	2	1	1 × (terminal 5 × 70 mm <sup>2</sup> )
✓ 231148	231201	×	×	B	6	2	4	2	1	1 × (terminal 5 × 70 mm <sup>2</sup> )
✓ 231141	231194			A/B	6	2	4	2	1	1 × (terminal 5 × 70 mm <sup>2</sup> )
✓ 231143	231195	×	×	A/B	6	2	4	2	1	1 × (terminal 5 × 70 mm <sup>2</sup> )
<b>Main distributor boxes 400 A</b>										
229294	231187			A	6	2	4	2	1	2 × (terminal 5 × 70 mm <sup>2</sup> )
229296	231188	×	×	A	6	2	4	2	1	2 × (terminal 5 × 70 mm <sup>2</sup> )
231157	231202			B	6	2	4	2	1	2 × (terminal 5 × 70 mm <sup>2</sup> )
231159	231203	×	×	B	6	2	4	2	1	2 × (terminal 5 × 70 mm <sup>2</sup> )
231150	231196			A/B	6	2	4	2	1	2 × (terminal 5 × 70 mm <sup>2</sup> )
231153	231197	×	×	A/B	6	2	4	2	1	2 × (terminal 5 × 70 mm <sup>2</sup> )

✓ from stock, offer subject to prior sale

## Main distributor box 63A, without counter, RCD type A, IP44

Item no. 231119 sheet steel RAL 7035

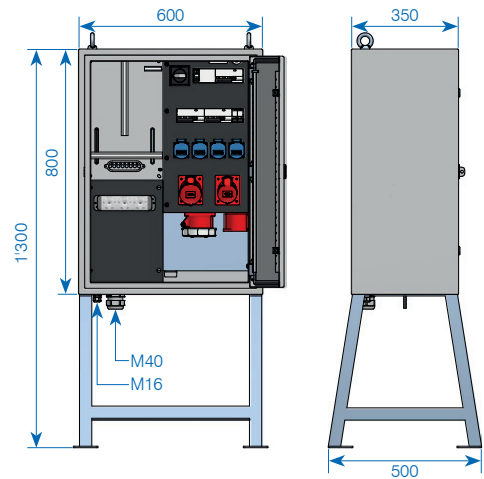
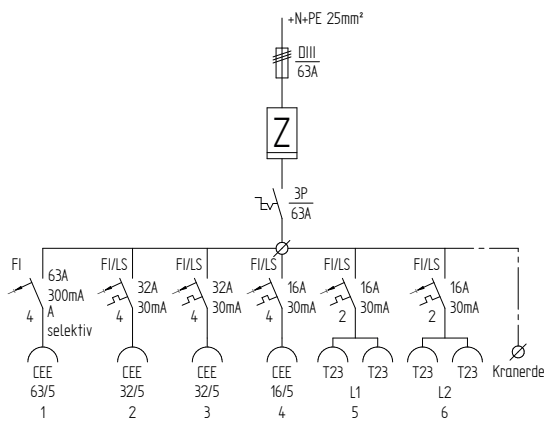
Item no. 231181 V2A grounded



## Main distributor box 63A, with counter, RCD type A, IP44

Item no. 231123 sheet steel RAL 7035

Item no. 231182 V2A grounded



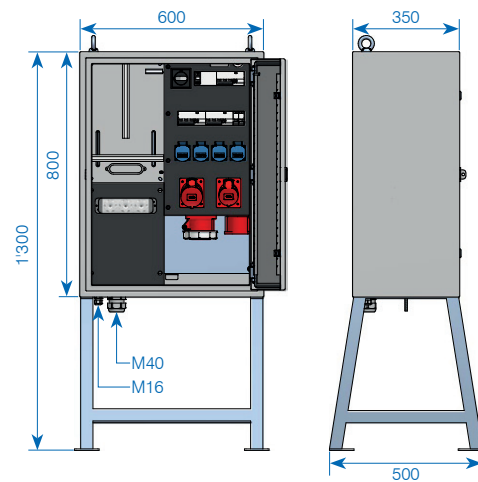
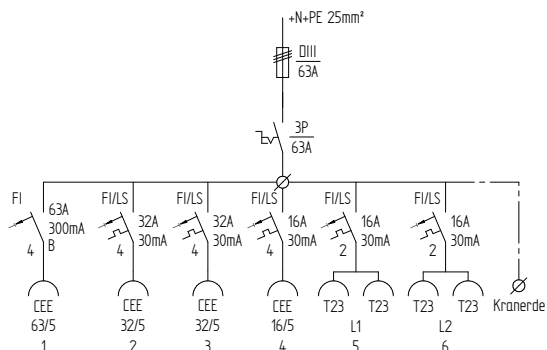
Other fitting options on request.

# Main distributor boxes (MDB) 63A

**Main distributor box 63A, without counter, RCD type A/B, IP44**

Item no. 231128 sheet steel RAL 7035

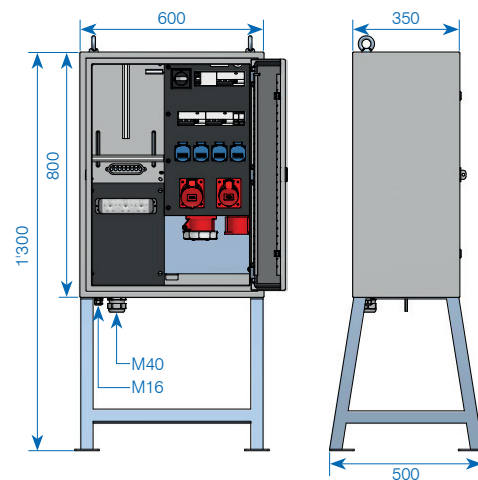
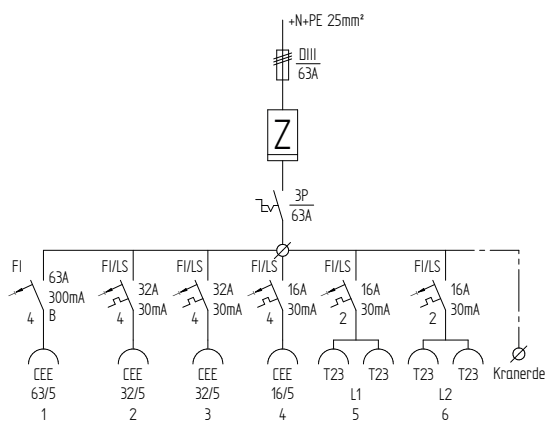
Item no. 231189 V2A grounded



**Main distributor box 63A, with counter, RCD type A/B, IP44**

Item no. 231131 sheet steel RAL 7035

Item no. 231190 V2A grounded

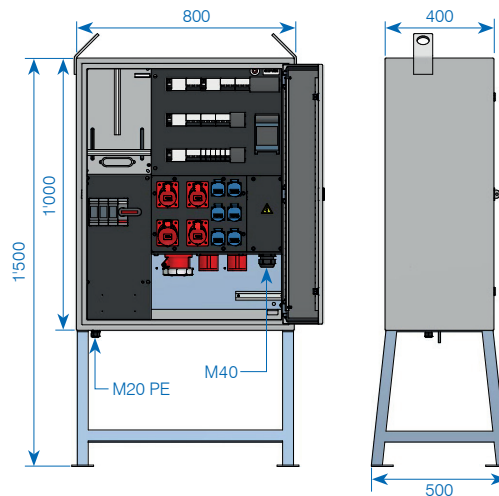
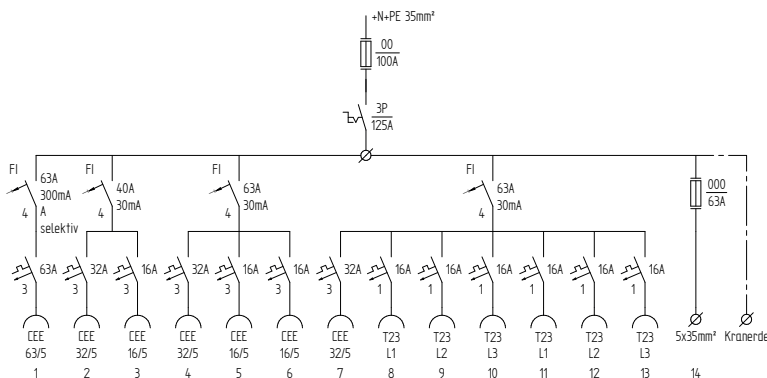


Other fitting options on request.

## Main distributor box 100 A, with counter, RCD type A, IP44

Item no. 231416 sheet steel RAL 7035

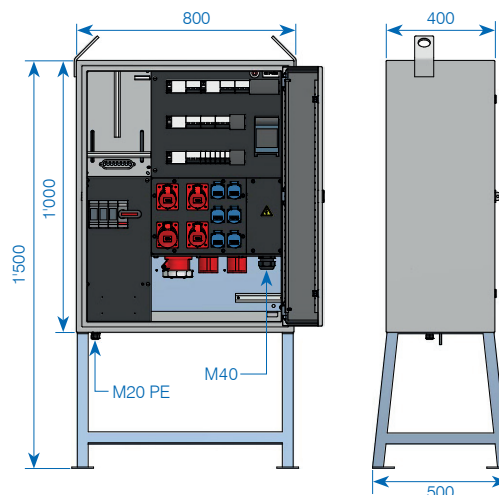
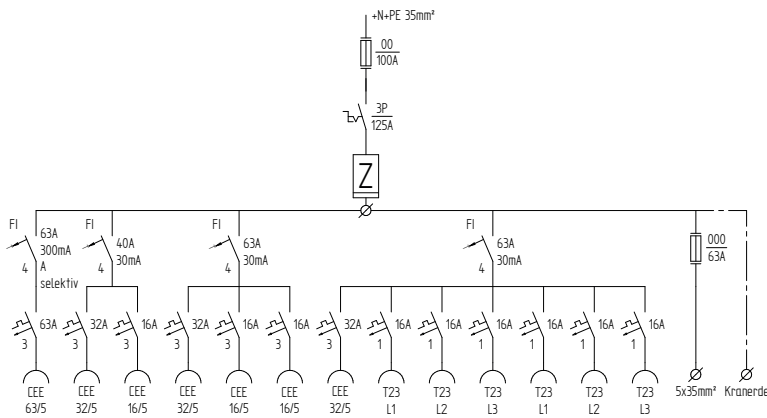
Item no. 231419 V2A grounded



## Main distributor box 100 A, with counter, RCD type A, IP44

✓ Item no. 231418 sheet steel RAL 7035

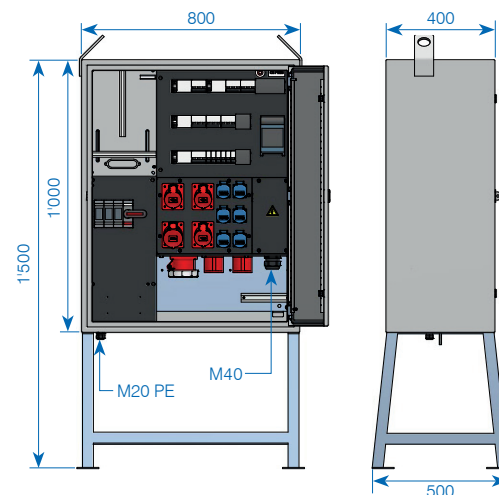
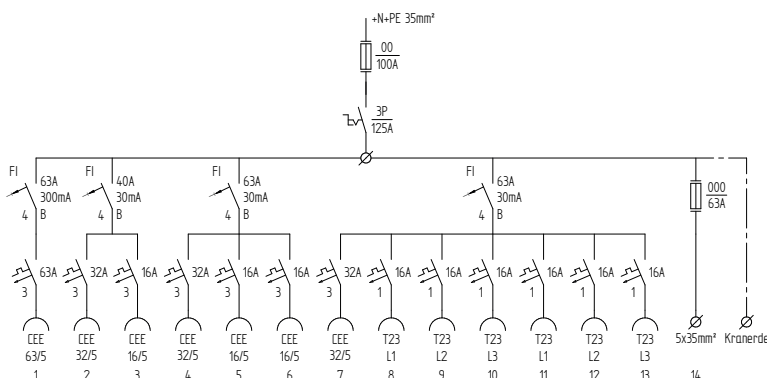
Item no. 231422 V2A grounded



## Main distributor box 100 A, without counter, RCD type B, IP44

Item no. 231428 sheet steel RAL 7035

Item no. 231430 V2A grounded



✓ from stock, offer subject to prior sale  
Other fitting options on request.

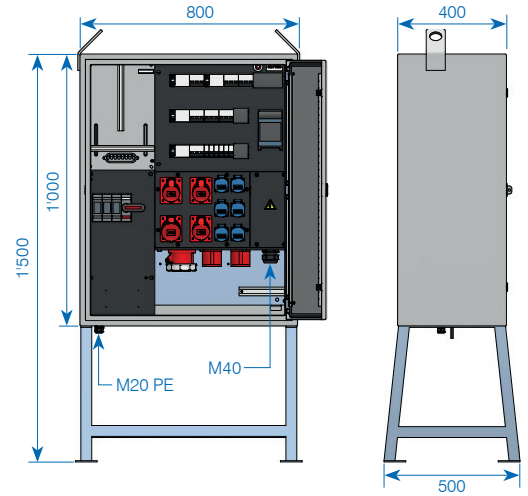
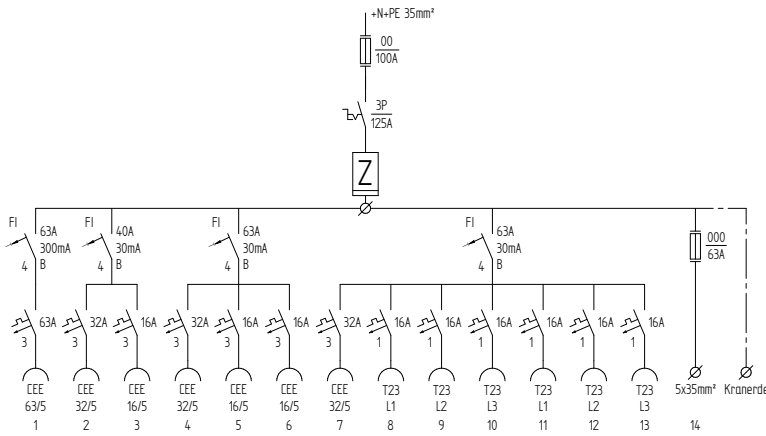


# Main distributor boxes (MDB) 100 A

## Main distributor box 100A, with counter, RCD type B, IP44

Item no. 231429 sheet steel RAL 7035

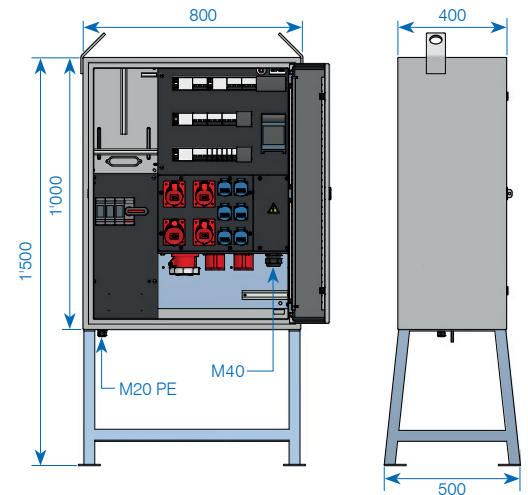
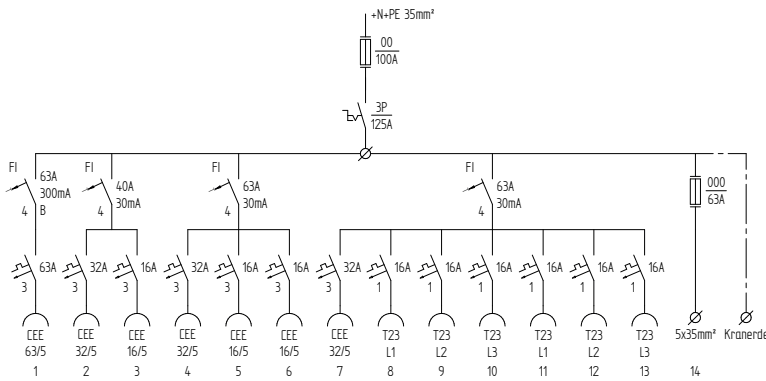
Item no. 231431 V2A grounded



## Main distributor box 100A, without counter, RCD type A/B, IP44

Item no. 231424 sheet steel RAL 7035

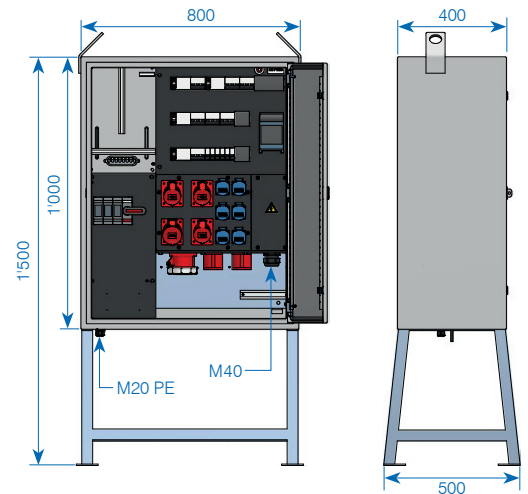
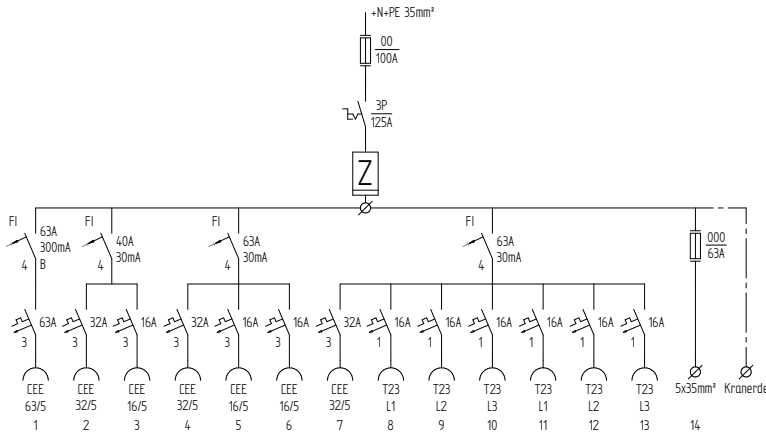
Item no. 231426 V2A grounded



## Main distributor box 100A, with counter, RCD type A/B, IP44

Item no. 231425 sheet steel RAL 7035

Item no. 231427 V2A grounded



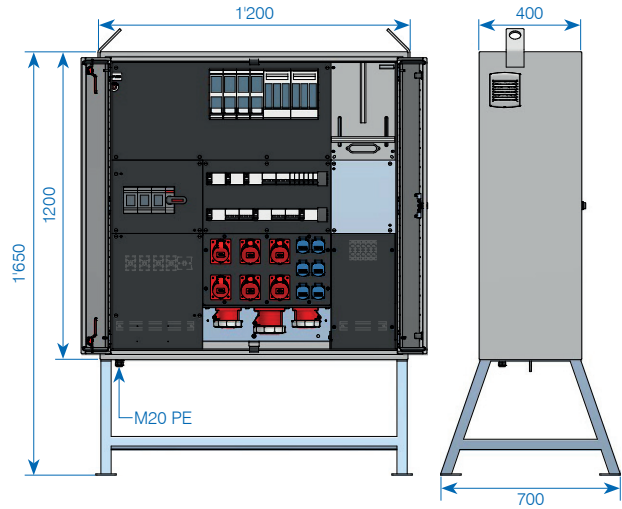
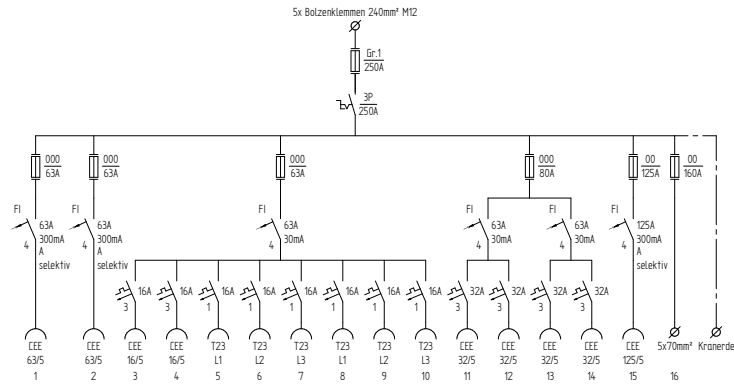
Other fitting options on request.

# Main distributor boxes (MDB) 250 A

## Main distributor box 250 A, without counter, RCD type A, IP44

✓ Item no. 229290 sheet steel RAL 70035

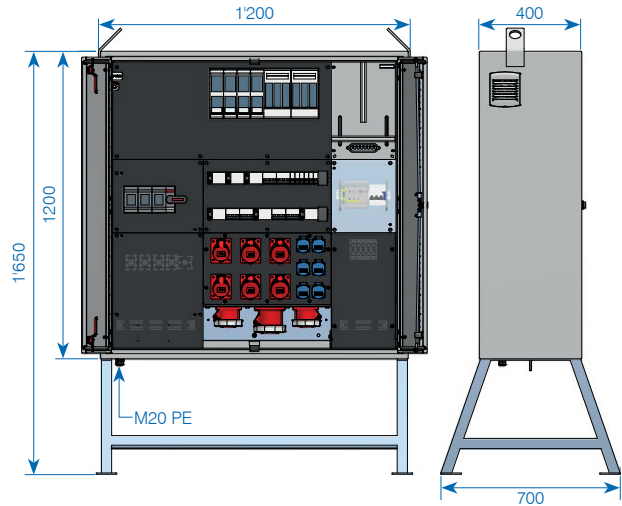
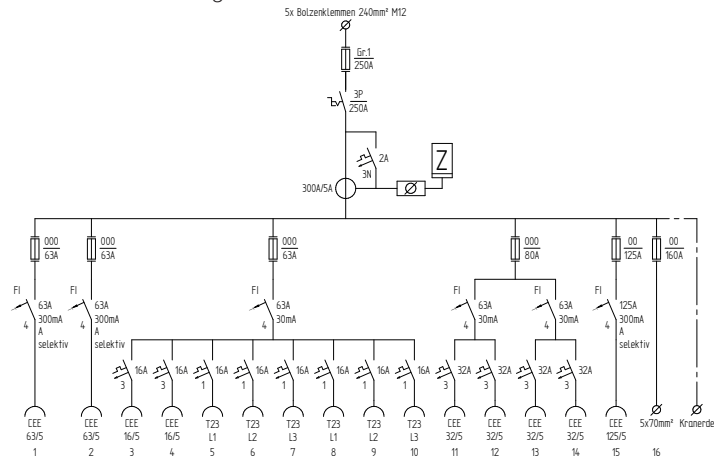
Item no. 231185 V2A grounded



## Main distributor box 250 A, with counter and converter, RCD type A, IP44

✓ Item no. 229292 sheet steel RAL 7035

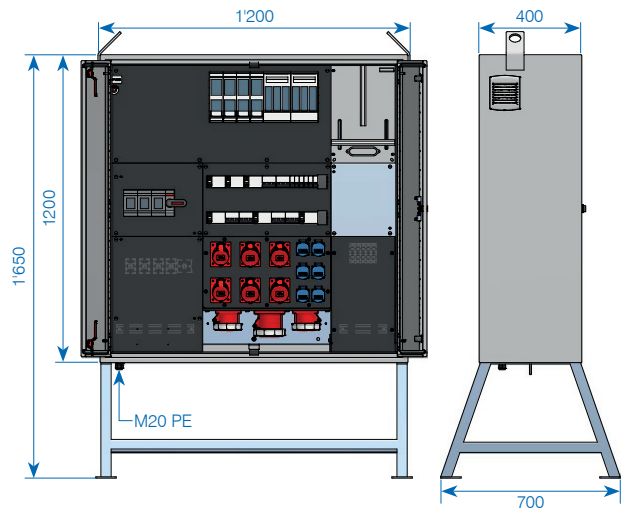
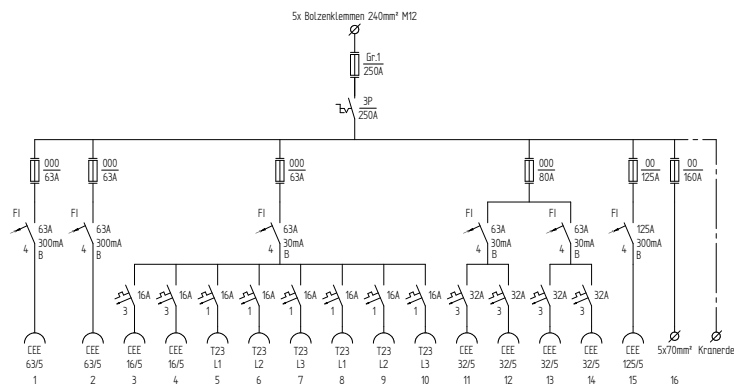
Item no. 231186 V2A grounded



## Main distributor box 250 A, without counter, RCD type B, IP44

✓ Item no. 231146 sheet steel RAL 7035

Item no. 231200 V2A grounded



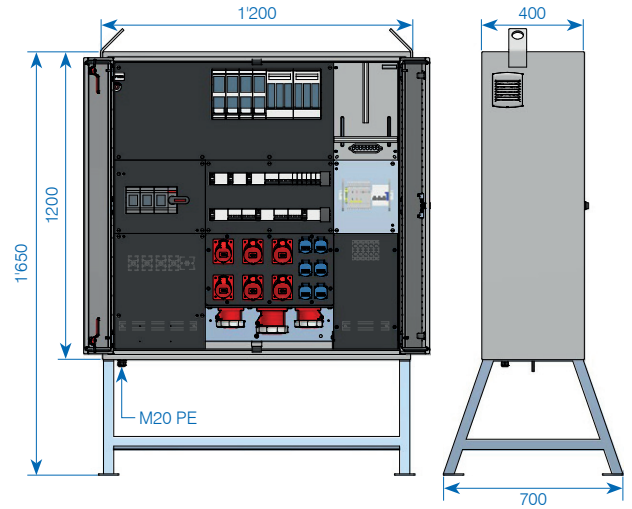
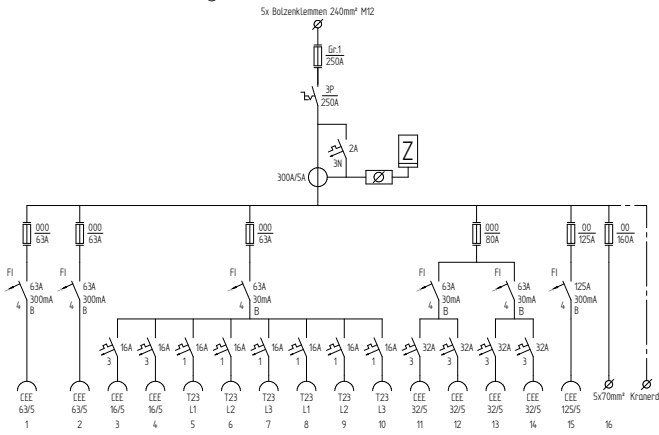
✓ from stock, offer subject to prior sale  
Other fitting options on request.

# Main distributor boxes (MDB) 250 A

## Main distributor box 250A, with counter and converter, RCD type B, IP44

✓ Item no. 231148 sheet steel RAL 7035

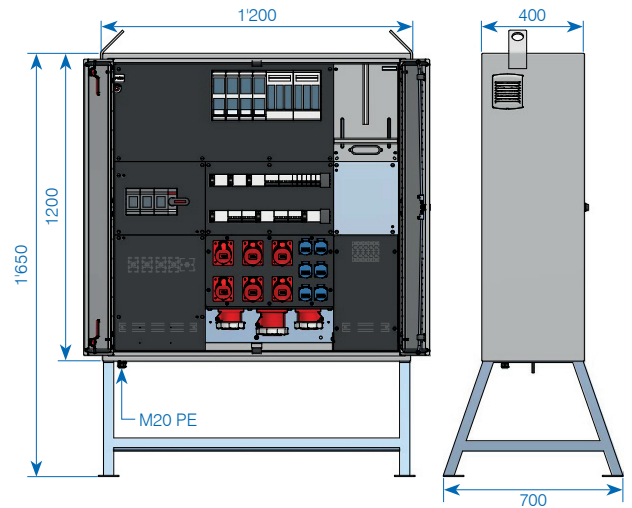
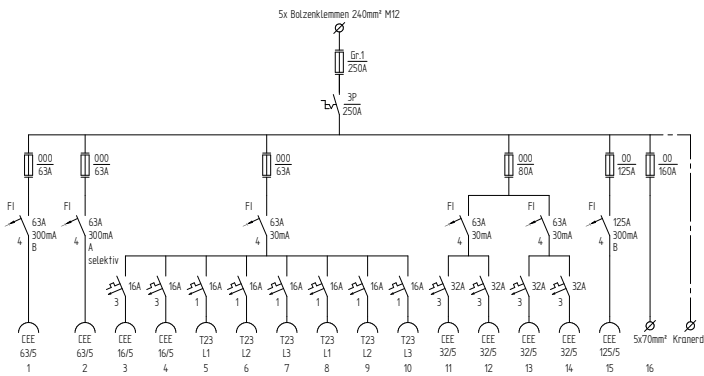
Item no. 231201 V2A grounded



## Main distributor box 250A, without counter, RCD type A/B, IP44

✓ Item no. 231141 sheet steel RAL 7035

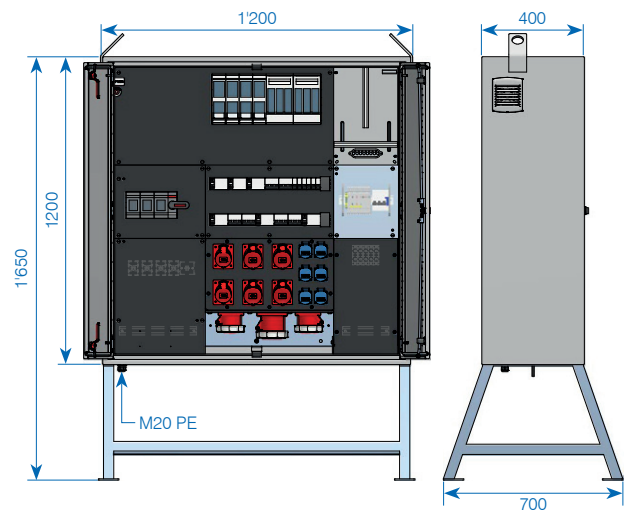
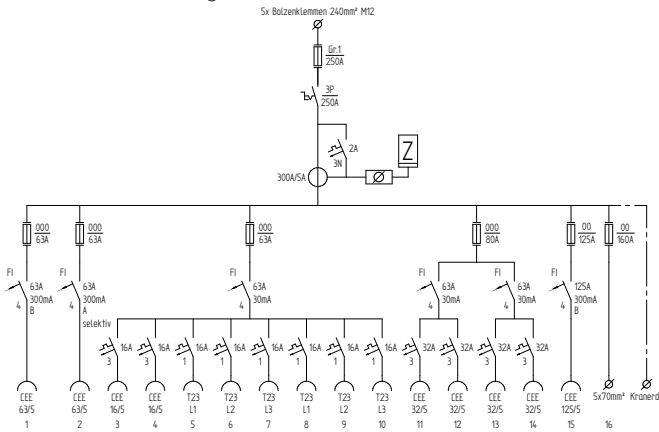
Item no. 231194 V2A grounded



## Main distributor box 250A, with counter and converter, RCD type A/B, IP44

✓ Item no. 231143 sheet steel RAL 7035

Item no. 231195 V2A grounded



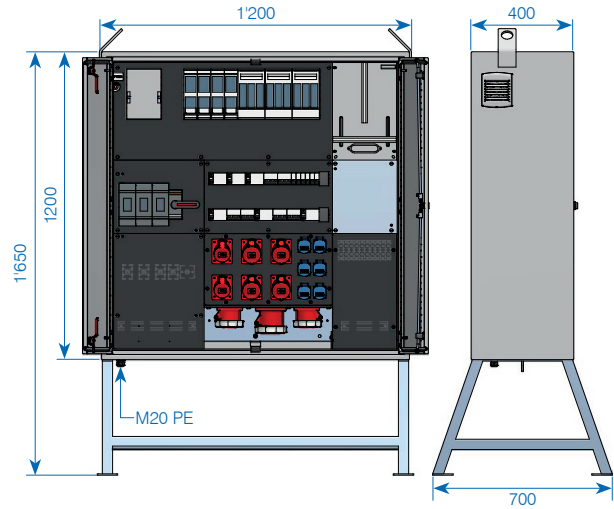
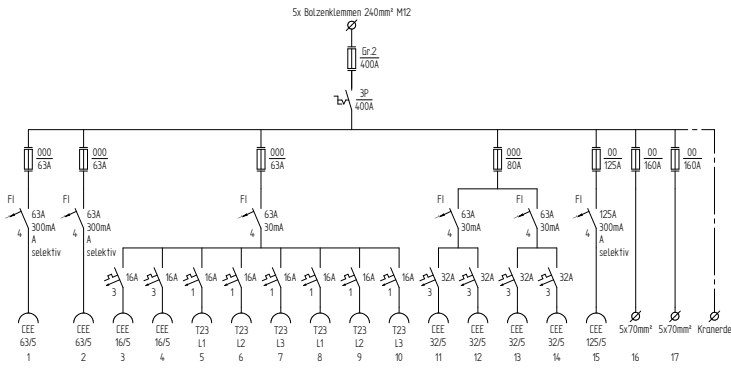
✓ from stock, offer subject to prior sale  
Other fitting options on request.

# Main distributor boxes (MDB) 400 A

Main distributor box 400 A, without counter, RCD type A, IP44

Item no. 229294 sheet steel RAL 7035

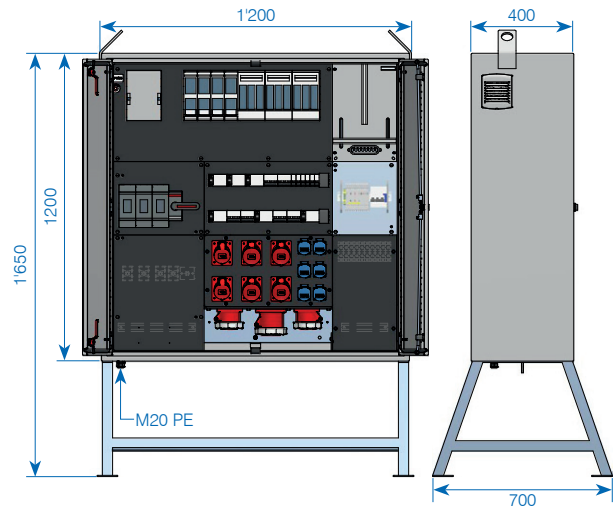
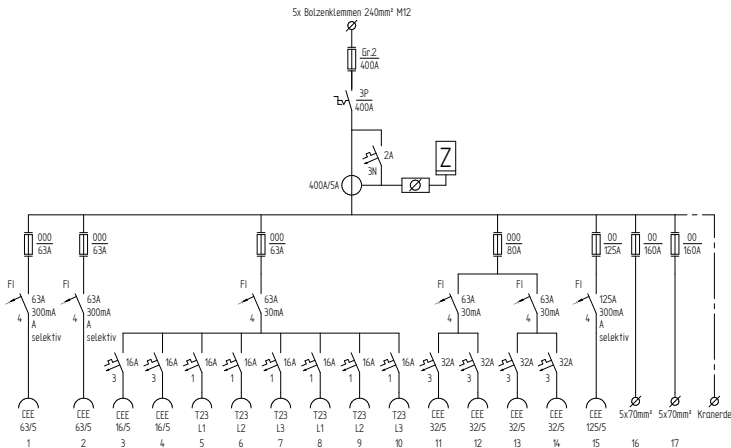
Item no. 231187 V2A grounded



Main distributor box 400 A, with counter and converter, RCD type A, IP44

Item no. 229296 sheet steel RAL 7035

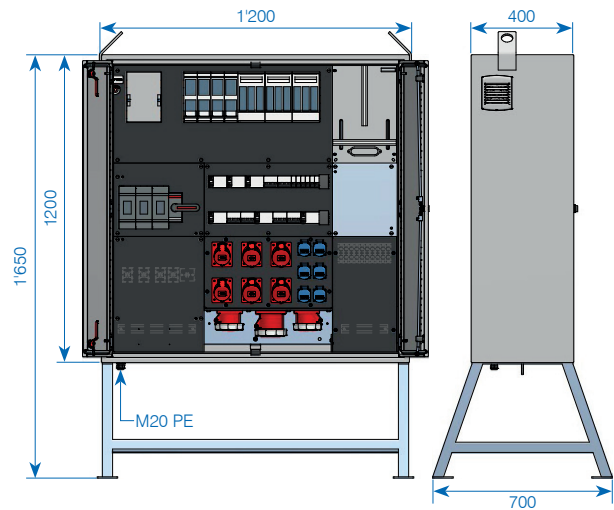
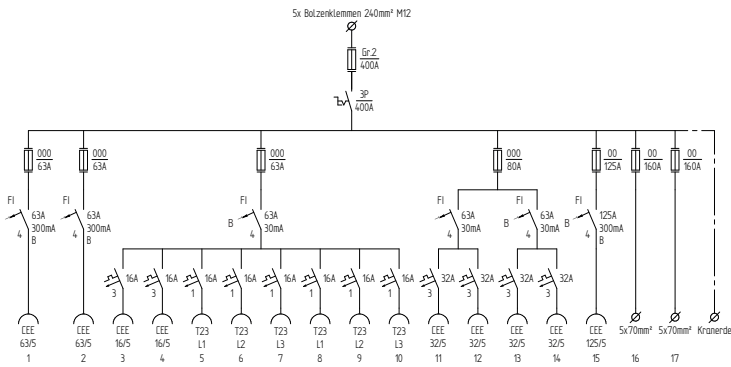
Item no. 231188 V2A grounded



Main distributor box 400 A, without counter, RCD type B, IP44

Item no. 231157 sheet steel RAL 7035

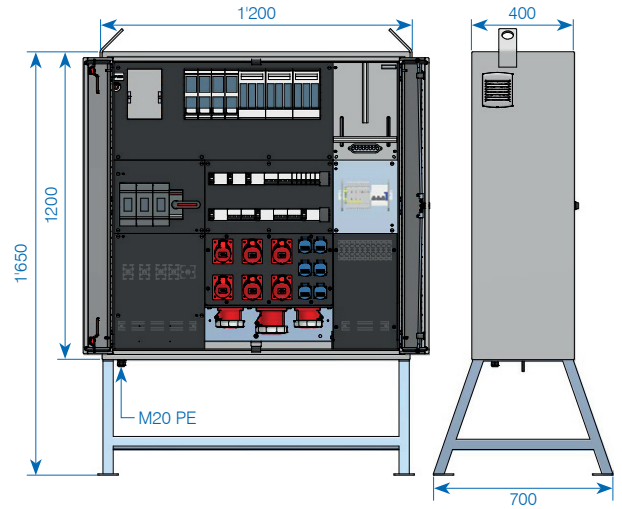
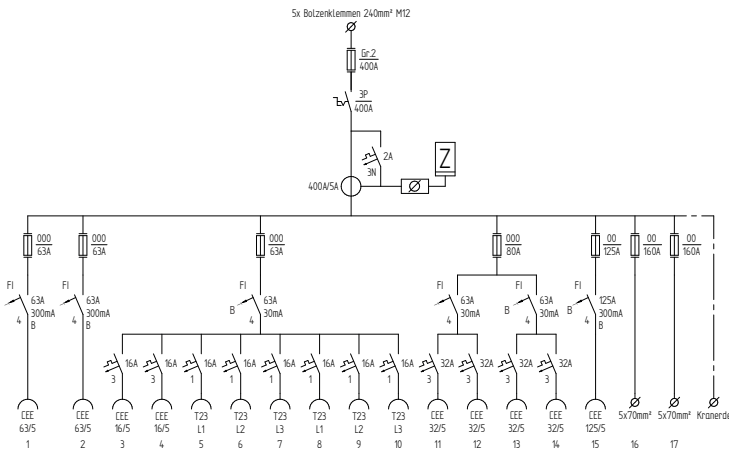
Item no. 231202 V2A grounded



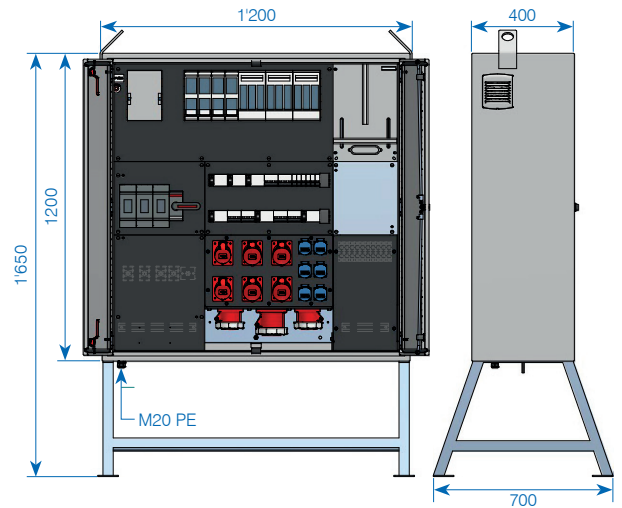
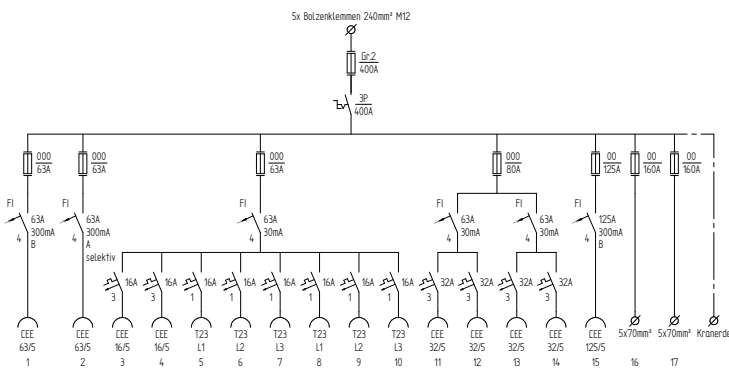
Other fitting options on request.

# Main distributor boxes (MDB) 400 A

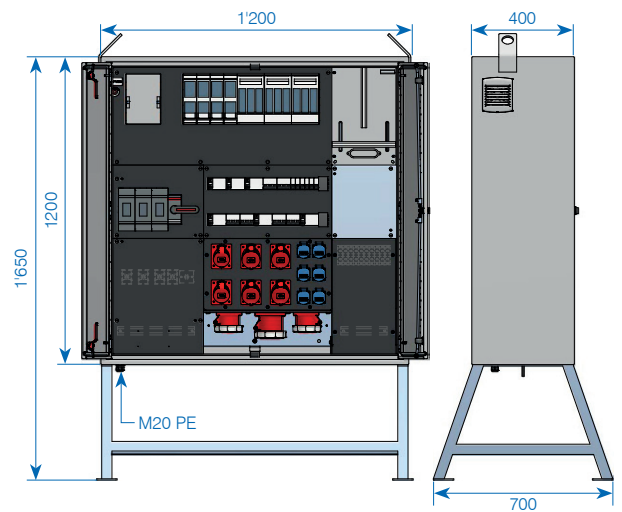
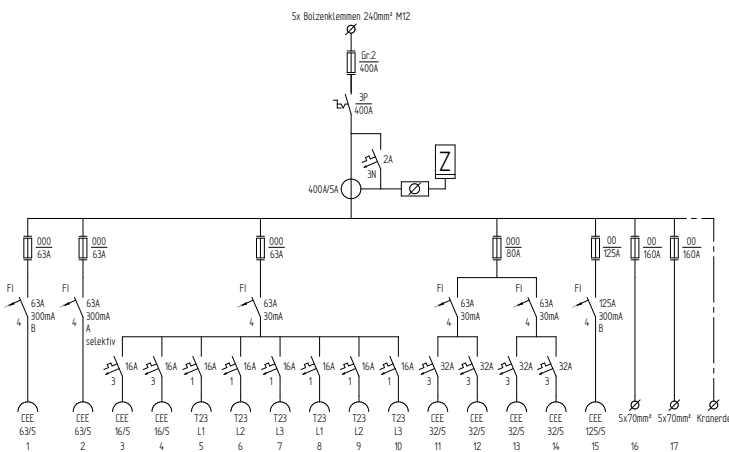
**Main distributor box 400A, with counter and converter, RCD type B, IP44**  
 Item no. 231159 sheet steel RAL 7035  
 Item no. 231203 V2A grounded



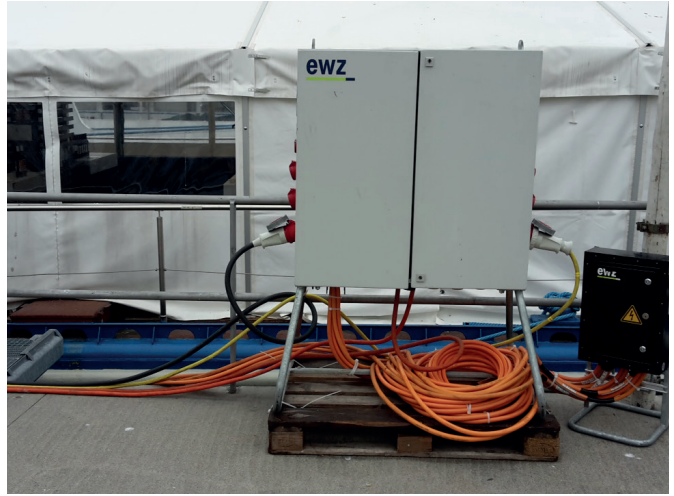
**Main distributor box 400A, without counter, RCD type A/B, IP44**  
 Item no. 231150 sheet steel RAL 7035  
 Item no. 231196 V2A grounded



**Main distributor box 400A, with counter and converter, RCD type A/B, IP44**  
 Item no. 231153 sheet steel RAL 7035  
 Item no. 231197 V2A grounded

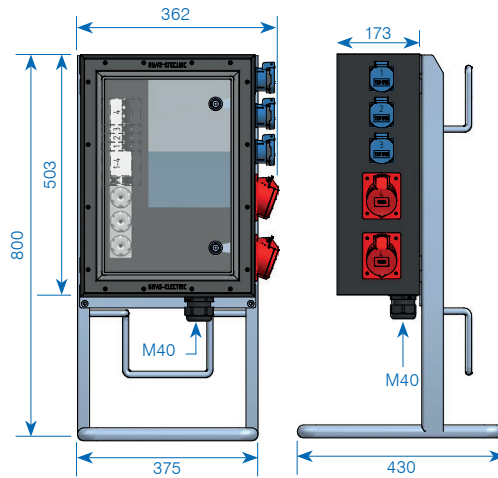
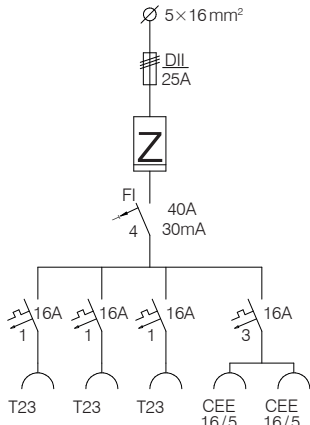


Other fitting options on request.



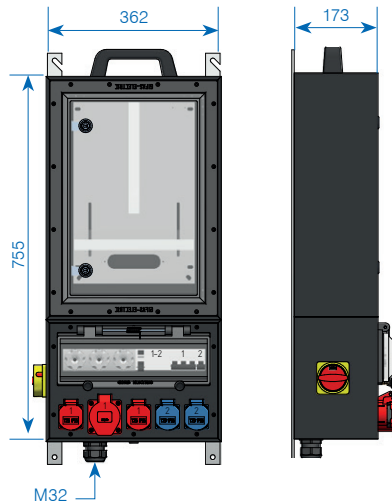
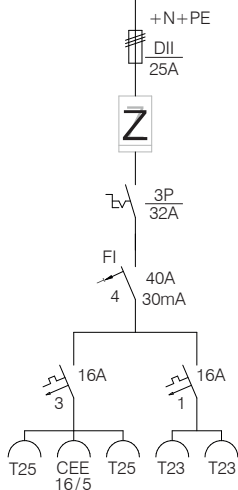
# Power station meter box 25 A, 32 A

Power station meter box 25 A hard rubber on frame, IP44  
Item no. 234431



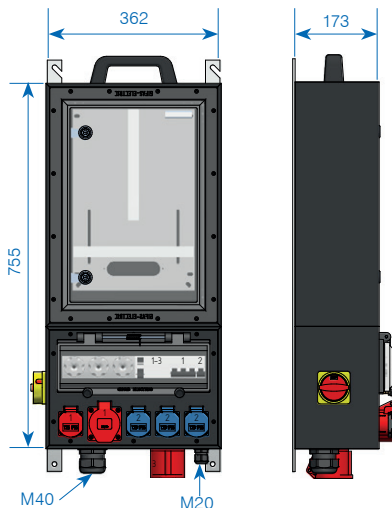
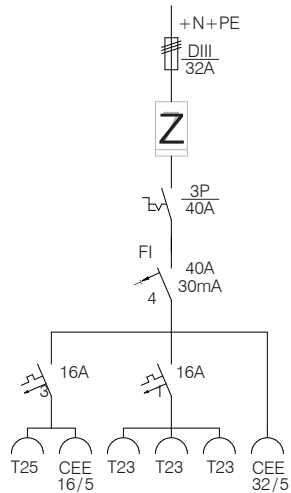
Prepared for electronic meter (supplied or on-site)

Power station meter box 25 A hard rubber, IP44  
Item no. 234432



Prepared for electronic meter (supplied or on-site)

Power station meter box 32 A hard rubber, IP44  
✓ Item no. 229445



Prepared for electronic meter (supplied or on-site)

✓ from stock, offer subject to prior sale

# Construction site main cabinet (mains metering cabinet)

## The regulations

The low voltage installation ordinance (Niederspannungs-Installationsverordnung; NIV) specifies where the limit point is between the public mains network and the installation, among other points. In accordance with NIV (section 2, article 2), the division of responsibility between the electricity plant supplying the power and the installation owner for the input terminals on the connected overcurrent circuit breaker.

## The problem

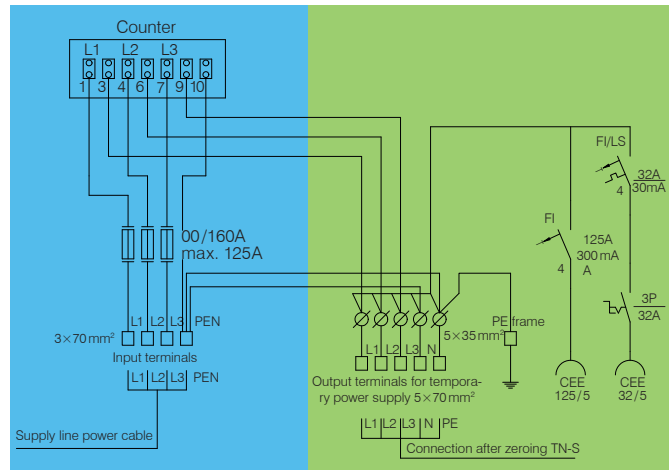
With standard construction site installations, it is not possible to assign specific areas of responsibility. A power station can share the responsibility for a third party main distributor box (accidents/damage compensation).

## Our solution

To clearly regulate the responsibility, GIFAS-Electric has collaborated with its customers to develop a new mains terminal box for power stations which conforms to the NIV in force. The power station operating the mains network provides its own terminal box, fully connected up to the mains and ready for operation, fitted with a freely accessible connection point. From this connection point, the installer can then set up the power supply for the construction site.

## Structural features

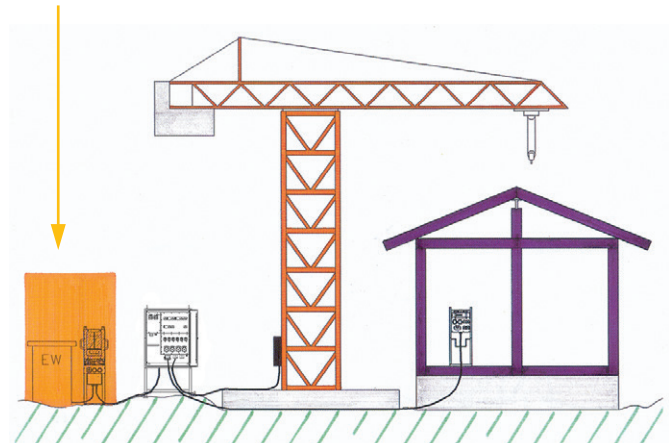
- main fuse
- electronic metering
- input, separately lockable with doors and KABA lock
- outputs to terminals and sockets



## Area of responsibility system operator

The energy supplier's area of responsibility and that of the installation owner meet at the input terminals of the excess current circuit breaker in a building or, in particular for construction sites, at the distributor box of the installation owner (the proprietor of the distributor box).

In the case of conventional construction site installations, this means that the electricity supplier shares responsibility for part of a third-party distributor box.





# Construction site main cabinet (mains metering cabinet)

## General information

The following types are examples of equipment from our standard range, which you can also order in the GIFAS webshop. But: as usual with GIFAS, we are happy to comply with your wishes and requirements. Whether it is the enclosure material, the assembly or the fixing/mounting method: please do not hesitate to contact us if you cannot find the desired type in this brochure and we will offer you a customised solution.

## Material specifications standard assortment

### Hardrubber box

- fully safety insulated
- impact resistant
- UV-resistant
- halogen-free
- resistant aging and temperature
- oil and acid resistant
- barely flammable
- self-extinguishing
- high chemical strength
- colour black RAL 9011
- protection category empty casing IP65

### Sheet steel cabinet

- colour grey RAL 7035
- powder textured coating
- protection category empty casing IP66, IK 10

### Glass-fibre cabinet

- Hot-pressed glass-fibre reinforced polyester with smooth surface
- self-extinguishing
- version with viewing door
- temperature resistance -30°C to +80°C
- colour grey RAL 7035
- protection category empty casing IP66, IK 08

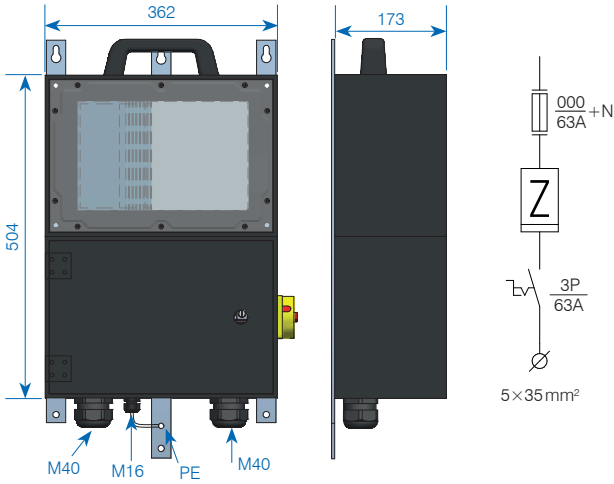
### Stainless steel V2A cabinet

On demand available

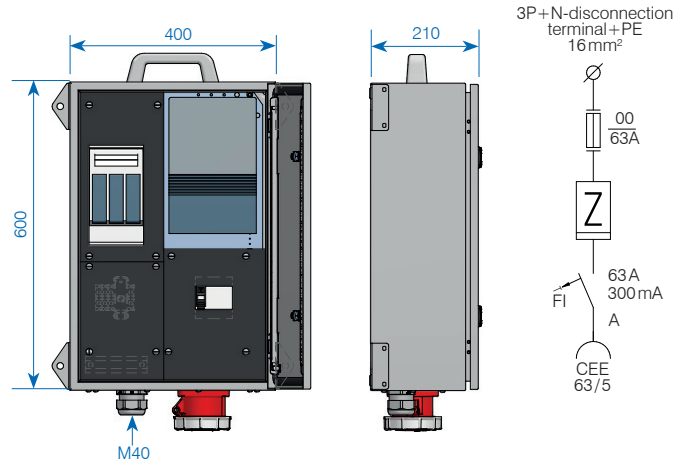


# Construction site main cabinet (mains metering cabinet) 63 A

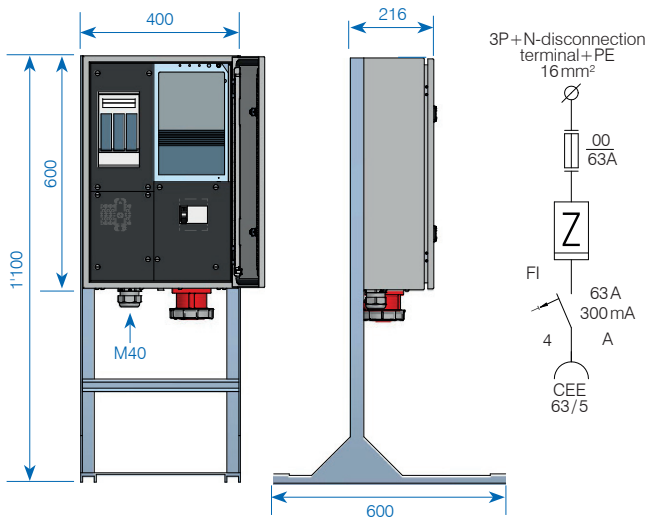
Construction site main cabinet 63A hard rubber IP54  
with handle and suspension bracket  
Item no. 024351



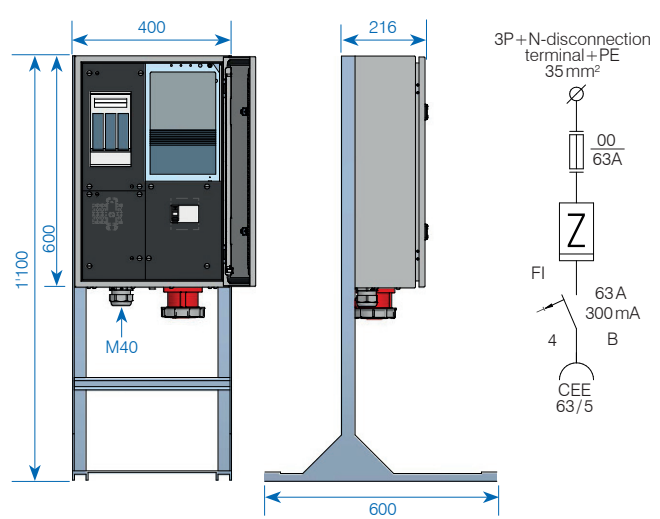
Construction site main cabinet 63A sheet steel, IP55 with handle  
and suspension bracket, RCD type A  
Item no. 216289



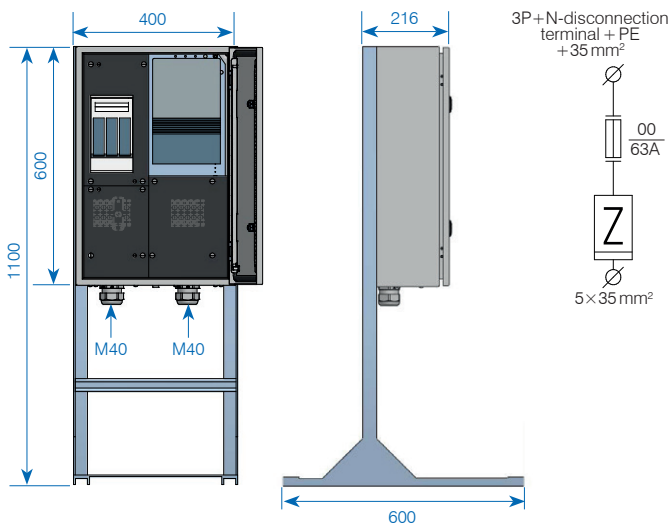
Construction site main cabinet 63A sheet steel IP55  
on stand, RCD type A  
Item no. 216291



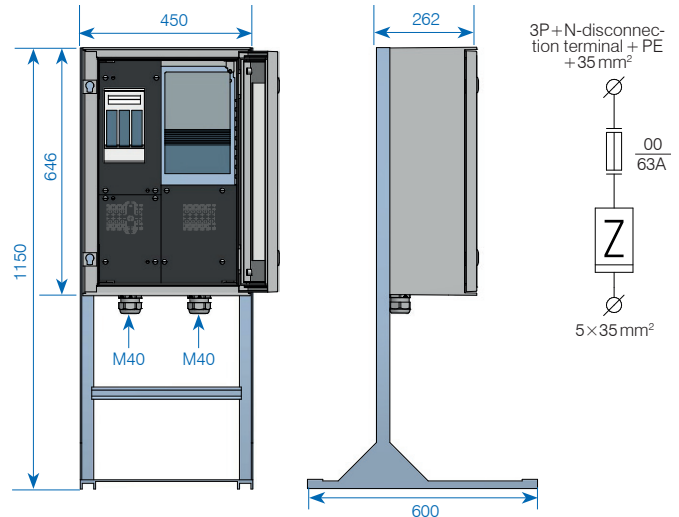
Construction site main cabinet 63A sheet steel IP55  
on stand, RCD type B  
Item no. 216506



Construction site main cabinet 63A sheet steel IP55  
on stand, RCD type A  
Item no. 234058

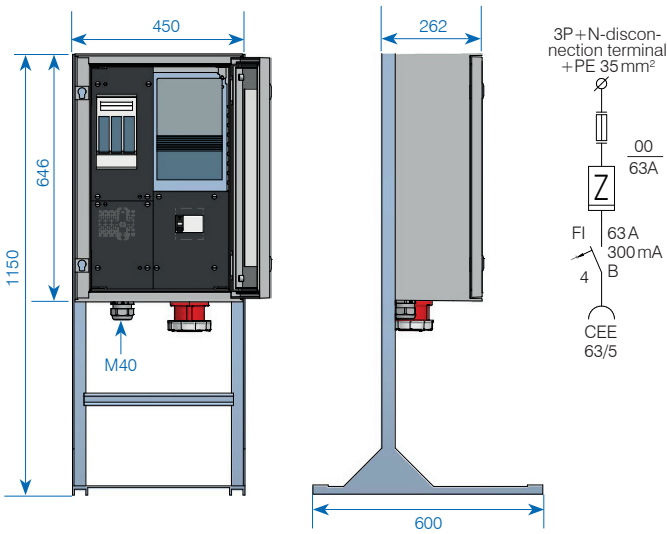


Construction site main cabinet 63A plastic IP55, on stand  
Item no. 232487

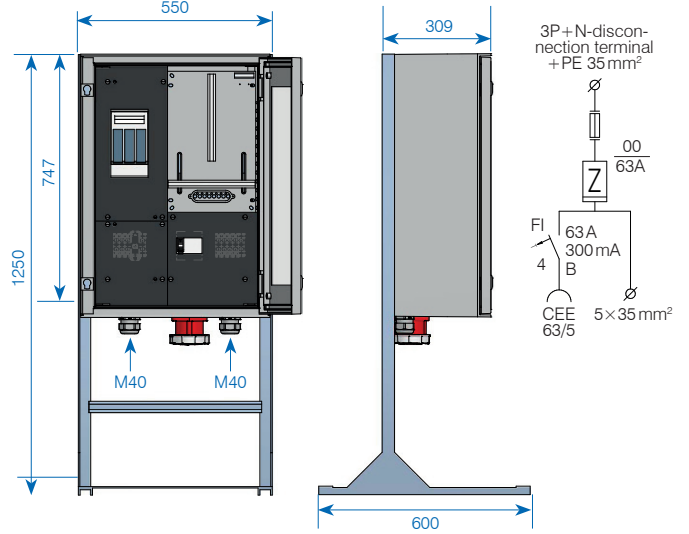


# Construction site main cabinet (mains metering cabinet) 63 A, 80 A

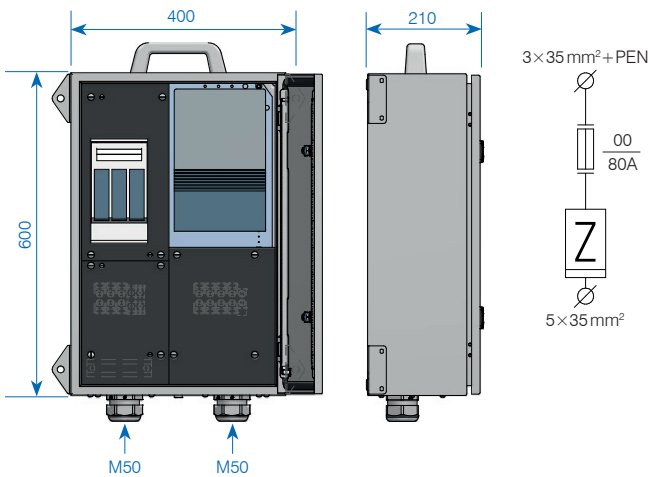
Construction site main cabinet 63 A plastic IP55 on stand, RCD type B  
Item no. 232439



Construction site main cabinet 63 A plastic IP55 on stand, RCD type B  
Item no. 232493

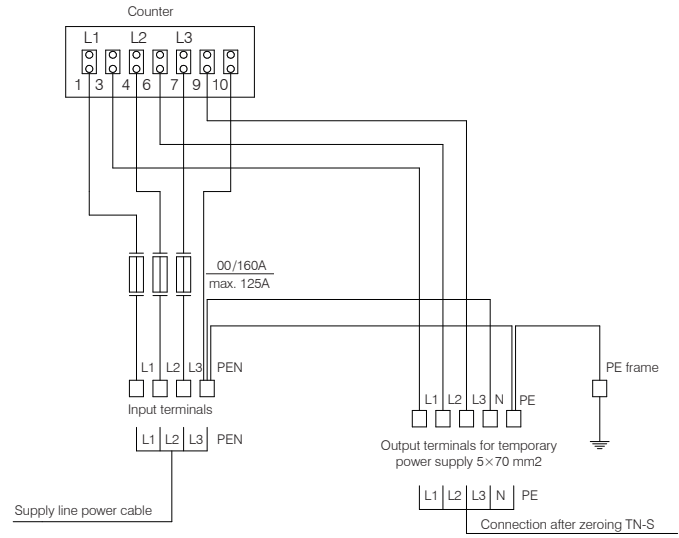
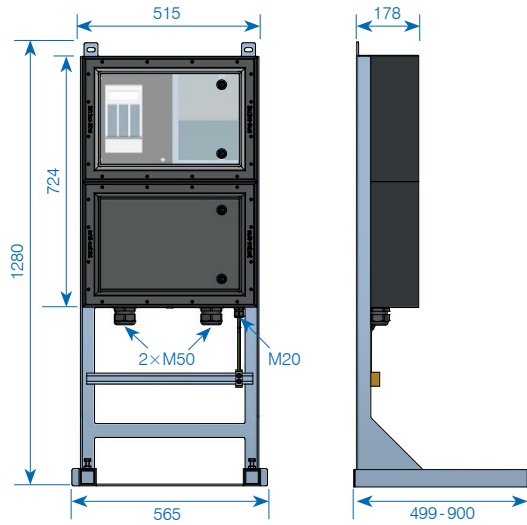


Construction site main cabinet 80 A sheet steel IP55 with suspension bracket  
Item no. 155787

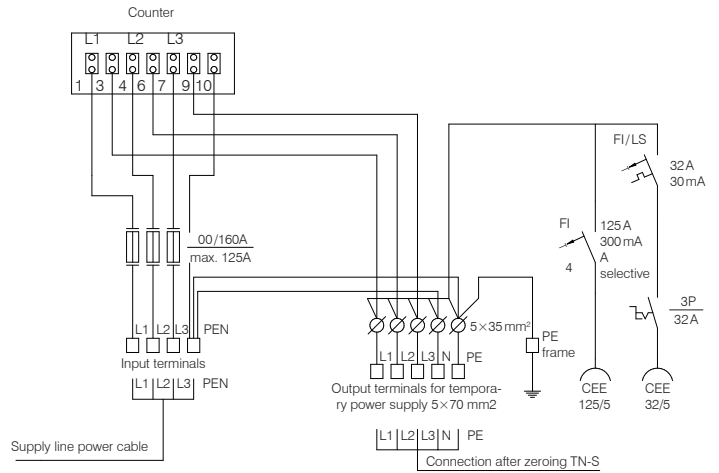
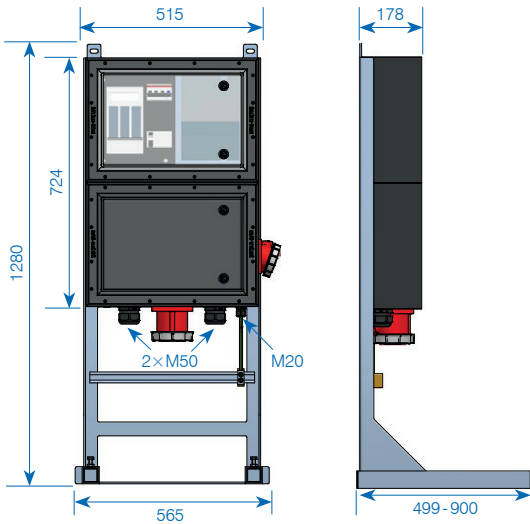


# Construction site main cabinet (mains metering cabinet) 125 A

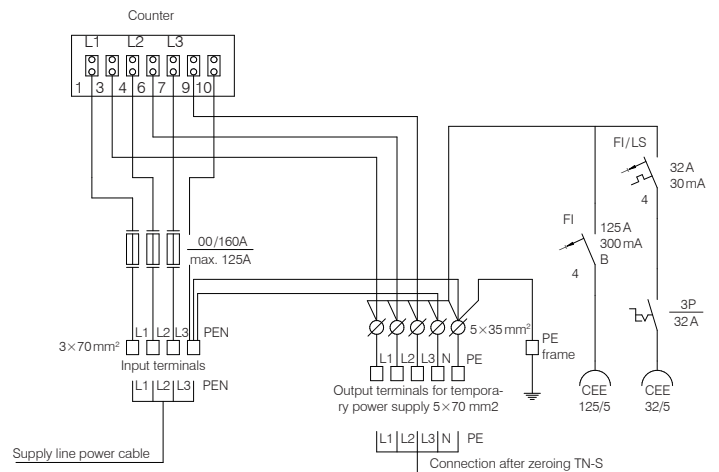
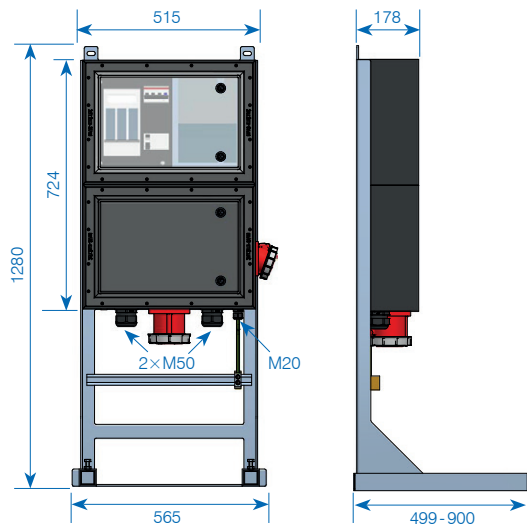
Construction site main cabinet 125A hard rubber IP54 on stand  
 ✓ Item no. 232262



Construction site main cabinet 125A hard rubber IP54 on stand, RCD type A  
 ✓ Item no. 234084



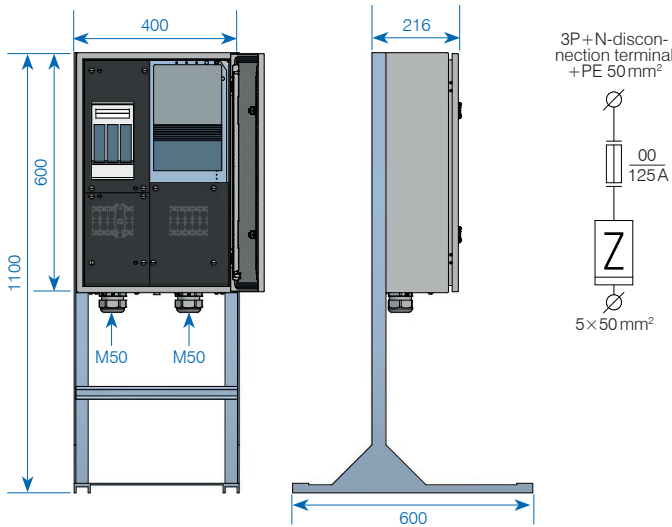
Construction site main cabinet 125A hard rubber IP54 on stand, RCD type B  
 ✓ Item no. 229822



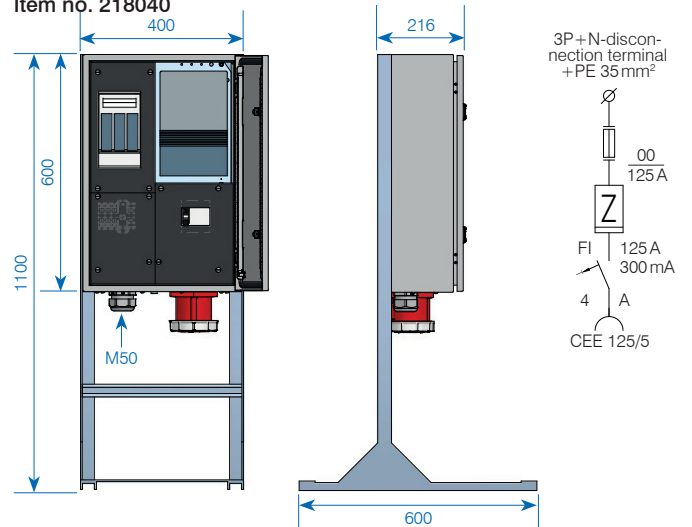
✓ from stock, offer subject to prior sale

# Construction site main cabinet (mains metering cabinet) 125 A

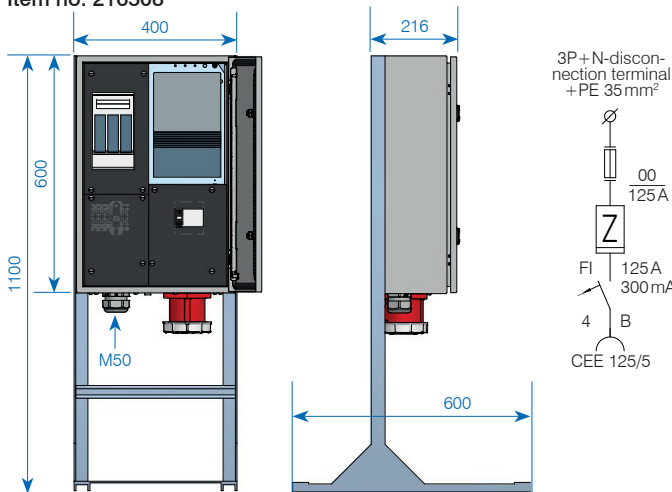
Construction site main cabinet 125 A sheet steel IP55 on stand  
Item no. 234055



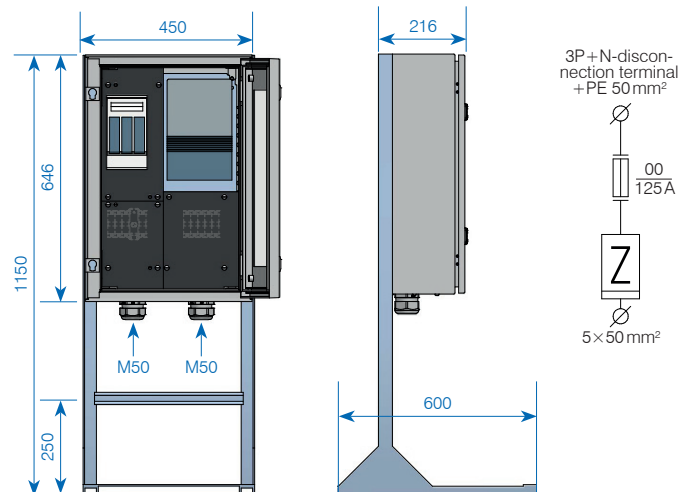
Construction site main cabinet 125 A sheet steel IP55 on stand, RCD type A  
Item no. 218040



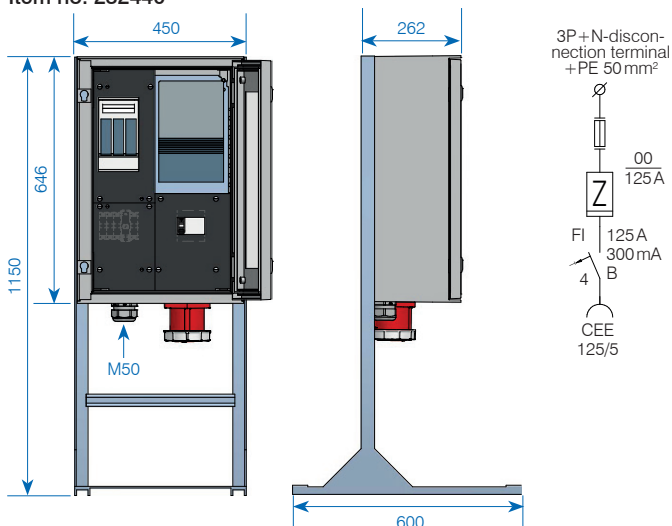
Construction site main cabinet 125 A sheet steel IP55 on stand, RCD type B  
Item no. 216508



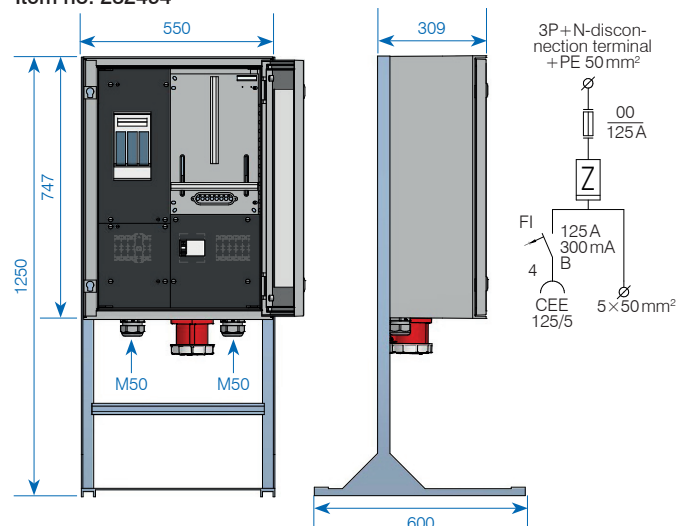
Construction site main cabinet 125 A plastic IP55 on stand  
Item no. 232488



Construction site main cabinet 125 A plastic IP55 on stand, RCD type B  
Item no. 232440

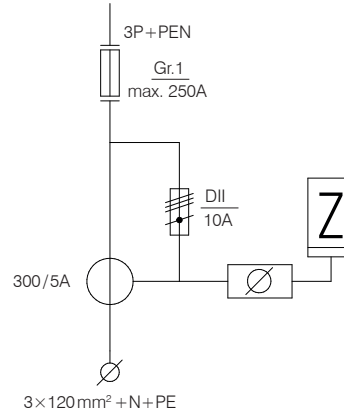
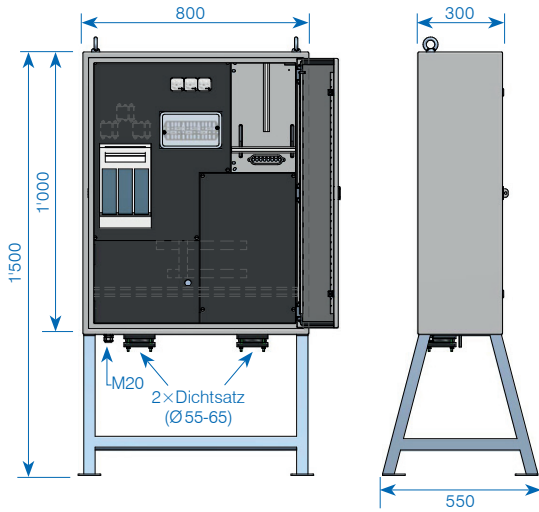


Construction site main cabinet 125 A plastic IP55 on stand, RCD type B  
Item no. 232494

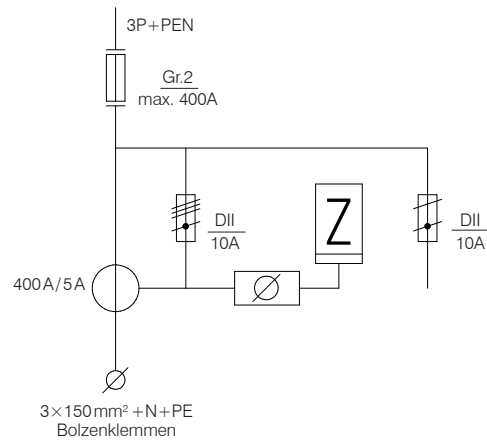
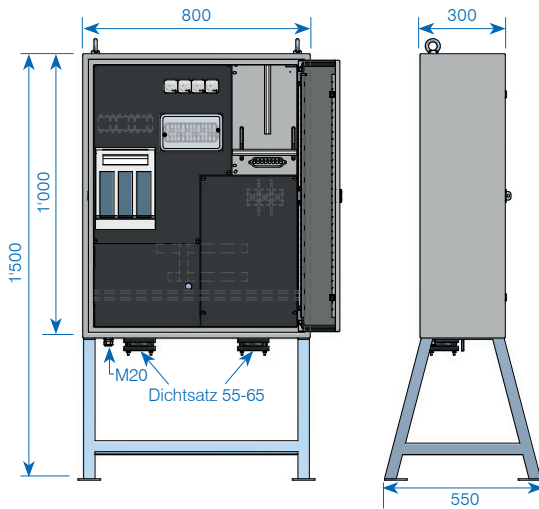


# Construction site main cabinet (mains metering cabinet) 250 A, 400 A, 630 A

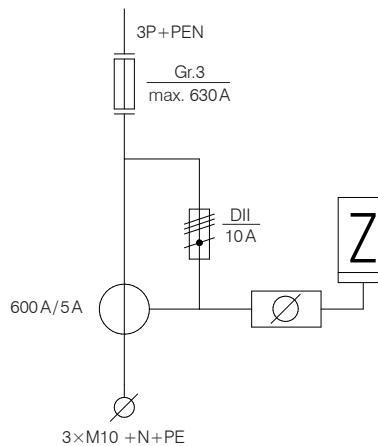
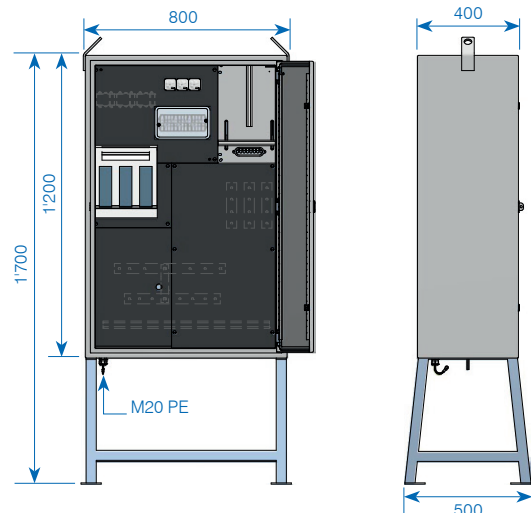
Construction site main cabinet 250 A sheet steel IP54 with ring bolts, on stand  
Item no. 187360

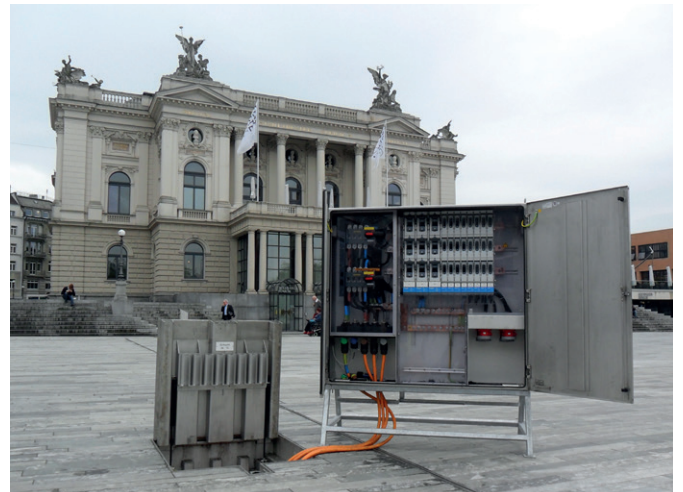


Construction site main cabinet 400 A sheet steel IP54 with ring bolts, on stand  
Item no. 187904



Construction site main cabinet 630 A sheet steel IP54 with ring bolts, on stand  
Item no. 207630





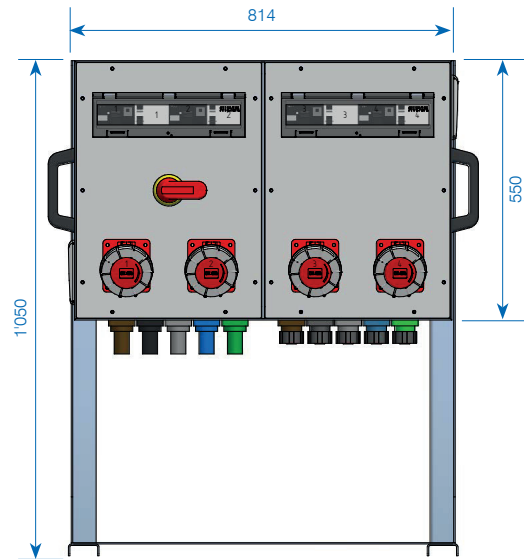
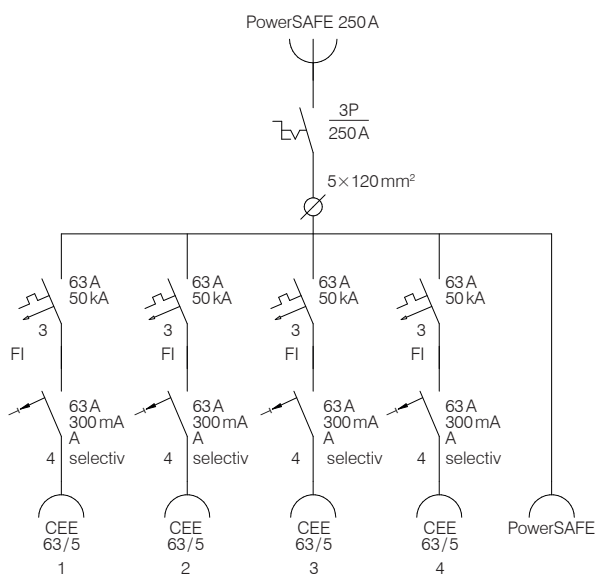
If power distributors are being used over and over for different occasions/events at different locations, a feed-in system with plug-in single conductors can make sense. With the GIFAS PowerSAFE plug connectors up to 400A, the burdensome connecting of heavy cables with large cross sections can be avoided.

### Advantages:

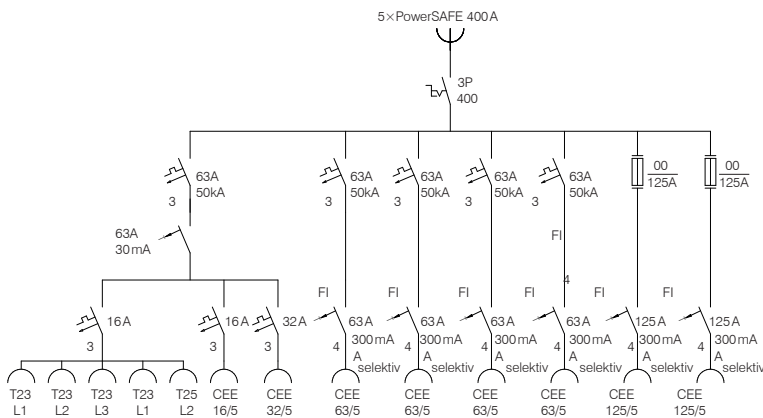
- quick connection of supply lines
- connections can be established without tools
- easy handling of the single conductor cables (less weight)
- distinctive due to mechanical and colour coding

### Practical examples of power distribution with PowerSAFE connections:

**Item no.: 254204** Mobile aluminum distributor with plug-in PowerSAFE feed for 250A, with outflow sockets PowerSAFE and CEE sockets 63A, protection class IP44.



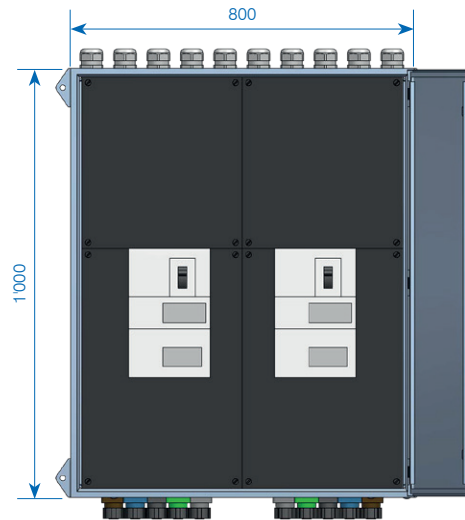
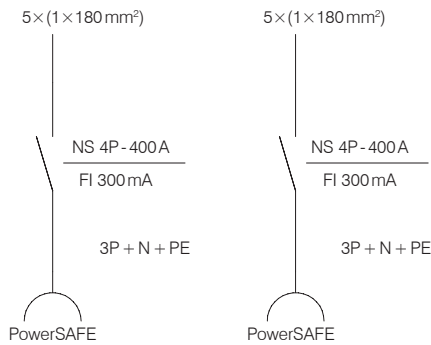
**Item no. 234435** Mobile switchgear assembly 400A in sturdy sheet steel housing on carrier. Plug-in PowerSAFE single conductor feed, main switch 400A, fused outflow sockets, protection class IP43.



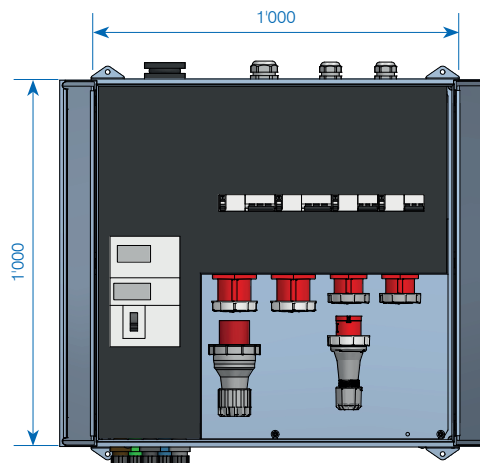
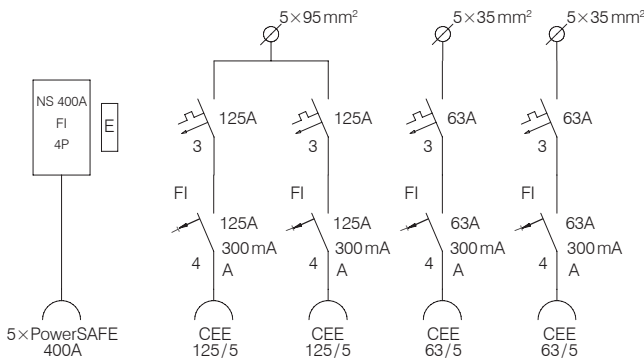


# Power distributor with single conductor connections (PowerSAFE)

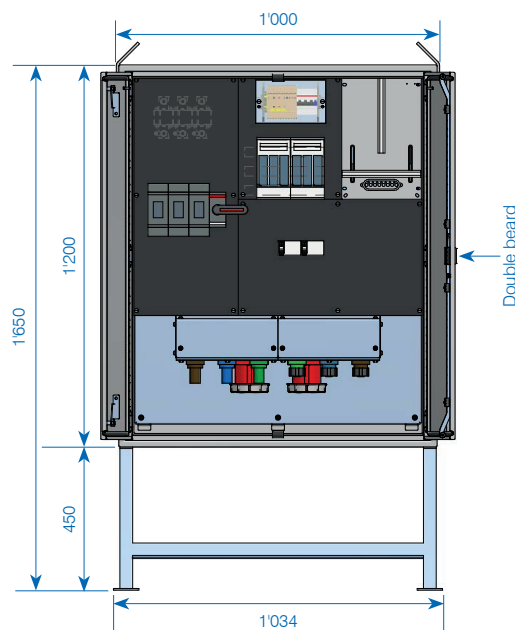
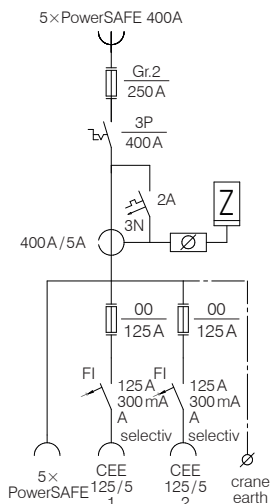
**Item no. 137511** Switchgear assembly 2×400A in sheet steel housing with plug-in PowerSAFE single conductor sockets, 2×circuit breaker 400A 4P 50kA with elect. actuator and RCD 300mA, protection class IP54.



**Item no. 147022** Switchgear assembly 400A/200A/63A in sheet steel housing. Plug-in PowerSAFE single conductor sockets with circuit breaker 400A 4P 50kA with elect. actuator and RCD 300mA, CEE sockets with RCD and MCB fused, protection class IP44.



**Item no. 254700** Mobile switchgear assembly 400A in sturdy sheet steel housing with plug-in PowerSAFE single conductor sockets as input and output. Main switch and converter measurement 400A and CEE sockets with NH fused, protection class IP44.



As a result of the increased demand for temporary power generators which operate with high-voltage current in the areas of entertainment and industrial applications, selection of the high-current connector is particularly important, in order to guarantee safety and reliability for any application.

The PowerSAFE connectors system were developed for the connection of single- and three-phase high-current circuits. They have been used and tested in the world's harshest environments, from the oil fields of Canada to data processing centres in the Arctic Circle. They are the right choice for demanding applications on account of their impressive technical capacity, safety functions, robust design, reliability and quality.

## Single phase plug, connectors, built-in connector and built-in socket L1, L2, L3, N, PE



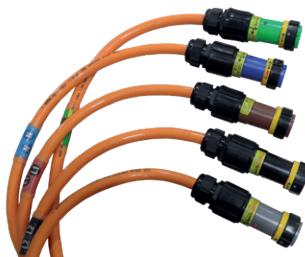
## Switchboxes for installation in housing/wall (also available for Rack mounting)



## Connecting cable sets



## Coupling cable sets

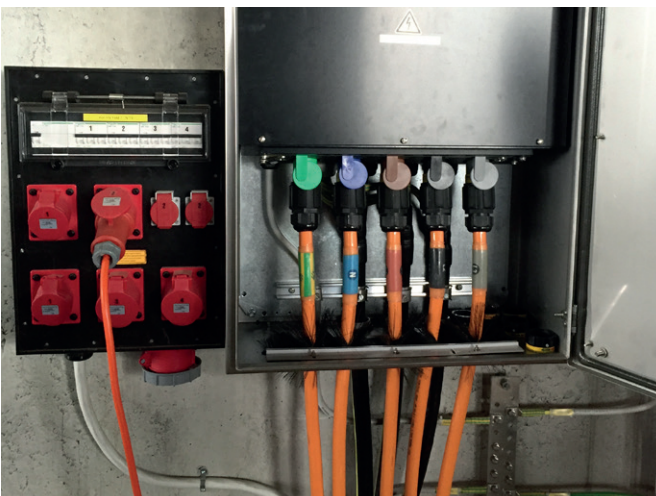


## Extension cable sets



The designs shown are examples.  
Our assortment is comprehensive and is put together according to customer requirements and assembled accordingly.

For detailed information (technical data, standard assortment, etc.), please refer to our Product information no. 08 / 01 PowerSAFE.



GET IN TOUCH WITH US

News about the assortment and specific solutions  
you can find on our website:

[www.gifas.ch](http://www.gifas.ch)



**GIFAS**  
ELECTRIC

GIFAS-ELECTRIC GmbH  
Dietrichstrasse 2  
CH-9424 Rheineck

+41 71 886 44 44  
+41 71 886 44 49  
info@gifas.ch  
www.gifas.ch

We reserve the right to make technical modifications. V 0524